

How to Order Hose Assemblies

The Flotec Hose Assembly consists of a length of hose and hose fittings with a crimped ferrule on each end. To order it is necessary to SELECT and SPECIFY the features desired on each module. The B- Hose Assembly Code is used to identify and select these features.

Begin with the type of hose needed. Move across the list of options, select one from each section, and specify the code for that option. When finished, you will have an assembly number such as **HAG3**. This number, for example identifies a:

HAG3 - Hose Assembly Green (Oxygen) Rubber

Now move to the Fitting End # 1 to select the style and gas type for the first end

3S - DISS F Knurled Nut & Nipple w/ O-Ring Oxygen (green)

Following the same procedure select Fitting End # 2 from the same list.

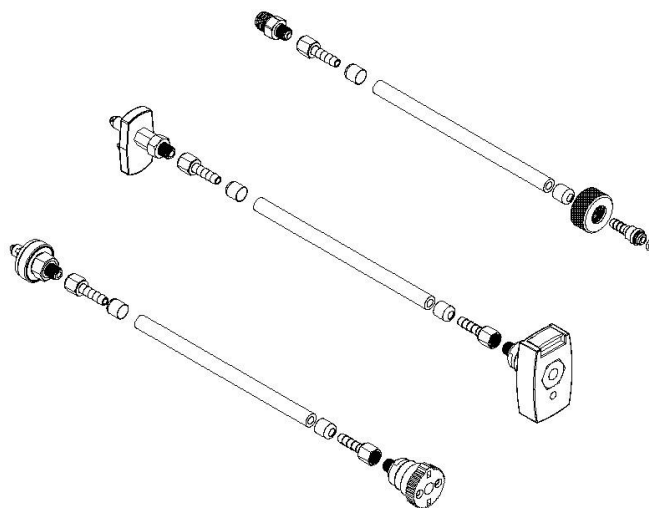
8S - DISS Male w/ Demand Check, Nipple opens valve Oxygen (green)

When finished, you will have a fitting specification assembly number such as **3S8S**. Note that the final part number will be sequenced in the same order show on the B- Hose Assembly Code.

Now move to the specification of the length of the Hose. This number is in inches and indicates the Over All Length (OAL) of the assembly. It does not indicate the length of the raw cut hose.

120 - 120" (10 feet) Over All Length (OAL)

Combining the three group, Hose type, Fittings on each end, and Over All Length (OAL), will provide a complete Hose Assembly part number, such as **HAG3-3S8S-120**.



----- HOSE ASSEMBLY LENGTH (Over all length (PER INCH))

----- FITTING END # 2
Select on two digit code from the group below

----- FITTING END # 1
Select on two digit code from the group below

- 3Y - DISS-1080 Female Knurled Nut & Nipple w/ O-Ring Carbon Dioxide (grey)
- 3T - DISS-1160 Female Knurled Nut & Nipple w/ O-Ring Medical Air (yellow)
- 3Q - DISS-1120 Female Knurled Nut & Nipple w/ O-Ring Nitrogen (black)
- 3G - DISS-1040 Female Knurled Nut & Nipple w/ O-Ring Nitrous Oxide (blue)
- 3S - DISS-1240 Female Knurled Nut & Nipple w/ O-Ring Oxygen (green)
- 3C - DISS-1240 Female Knurled Nut & Nipple w/ O-Ring Oxygen (ISO-white)
- 3W - DISS-1220 Female Knurled Nut & Nipple w/ O-Ring VAC/Suction (white)
- 3E - DISS-2220 Female Knurled Nut & Nipple w/ O-Ring WAGD/EVAC (purple)

- 4Y - DISS-1080 Female Hex Nut & Nipple Carbon Dioxide (grey)
- 4U - DISS-1060 Female Hex Nut & Nipple Helium (>80%) Oxygen Mix (brown/green)
- 4Z - DISS-2080 Female Hex Nut & Nipple Instrument Air (red)
- 4T - DISS-1160 Female Hex Nut & Nipple Medical Air (yellow)
- 4Q - DISS-1120 Female Hex Nut & Nipple Nitrogen (black)
- 4G - DISS-1040 Female HexNut & Nipple Nitrous Oxide (blue)
- 4X - DISS-1180 Female Hex Nut & Nipple Helium (≤80%) Oxygen Mix (brown/green)
- 4S - DISS-1240 Female Hex Nut & Nipple Oxygen (green)
- 4W - DISS-1220 Female Hex Nut & Nipple VAC/Suction (white)
- 4E - DISS-2220 Female Hex Nut & Nipple WAGD/EVAC (purple)

- 5Y - DISS-1080 Female Hex Nut & Nipple w/ O-Ring Carbon Dioxide (grey)
- 5U - DISS-1060 Female Hex Nut & Nipple w/ O-Ring Helium (>80%) Oxygen Mix (brown/green)
- 5Z - DISS-2080 Female Hex Nut & Nipple w/ O-ring Instrument Air (red)
- 5T - DISS-1160 Female Hex Nut & Nipple w/ O-Ring Medical Air (yellow)
- 5Q - DISS-1120 Female Hex Nut & Nipple w/ O-Ring Nitrogen (black)
- 5G - DISS-1040 Female Hex Nut & Nipple w/ O-Ring Nitrous Oxide (blue)
- 5X - DISS-1180 Female Hex Nut & Nipple w/ O-ring Helium (≤80%) Oxygen Mix (brown/green)
- 5S - DISS-1240 Female Hex Nut & Nipple w/ O-Ring Oxygen (green)
- 5W - DISS-1220 Female Hex Nut & Nipple w/ O-Ring VAC/Suction (white)
- 5E - DISS-2220 Female Hex Nut & Nipple w/ O-Ring WAGD/EVAC (purple)

- 6S - DISS-1240 Female Wing Nut & Nipple Oxygen (green)

- 7Y - DISS-1080 Male Body Adaptor w/ hand grip collar Carbon Dioxide (grey)
- 7T - DISS-1160 Male Body Adaptor w/ hand grip collar Medical Air (yellow)
- 7Q - DISS-1120 Male Body Adaptor w/ hand grip collar Nitrogen (black)
- 7G - DISS-1040 Male Body Adaptor w/ hand grip collar Nitrous Oxide (blue)
- 7S - DISS-1240 Male Body Adaptor w/ hand grip collar Oxygen (green)
- 7W - DISS-1220 Male Body Adaptor w/ hand grip collar VAC/Suction (white)
- 7E - DISS-2220 Male Body Adaptor w/ hand grip collar WAGD/EVAC (purple)

- 8Y - DISS-1080 Male Check Valve Carbon Dioxide (grey)
- 8T - DISS-1160 Male Check Valve Medical Air (yellow)
- 8Q - DISS-1120 Male Check Valve Nitrogen (black)
- 8G - DISS-1040 Male Check Valve Nitrous Oxide (blue)
- 8S - DISS-1240 Male Check Valve Oxygen (green)
- 8W - DISS-1220 Male Check Valve VAC/Suction (white)
- 8E - DISS-2220 Male Check Valve WAGD/EVAC (purple)

- 9T - DISS-1160 Male Fitting Medical Air
- 9U - DISS-1060 Male Fitting Helium (>80%) Oxygen Mix (brown/green)
- 9Z - DISS-2080 Male Fitting Instrument Air
- 9X - DISS-1180 Male Fitting Helium (≤80%) Oxygen Mix (brown/green)
- 9S - DISS-1240 Male Fitting Oxygen

- T3 - Schrader Style Male Adaptor w/ Swivel Stem Air
- Q3 - Schrader Style Male Adaptor w/ Swivel Stem Nitrogen
- G3 - Schrader Style Male Adaptor w/ Swivel Stem Nitrous Oxide
- S3 - Schrader Style Male Adaptor w/ Swivel Stem Oxygen
- W3 - Schrader Style Male Adaptor w/ Swivel Stem VAC/Suction

- T2 - Schrader Style Female Coupler Medical Air
- Q2 - Schrader Style Female Coupler Nitrogen
- G2 - Schrader Style Female Coupler Nitrous Oxide
- S2 - Schrader Style Female Coupler Oxygen
- W2 - Schrader Style Female Coupler VAC/Suction

- T1 - Schrader Style Male Adaptor non-swivel stem Medical Air
- Q1 - Schrader Style Male Adaptor non-swivel stem Nitrogen
- G1 - Schrader Style Male Adaptor non-swivel stem Nitrous Oxide
- S1 - Schrader Style Male Adaptor non-swivel stem Oxygen
- W1 - Schrader Style Male Adaptor non-swivel stem VAC/Suction

- D1 - Chemetron Style Male Adaptor Medical Air (yellow)
- N1 - Chemetron Style Male Adaptor Nitrous Oxide (blue)
- C1 - Chemetron Style Male Adaptor Oxygen (green)
- V1 - Chemetron Style Male Adaptor VAC/Suction (white)
- E1 - Chemetron Style Male Adaptor WAGD/EVAC (purple)

- D2 - Chemetron Style Female Coupler Medical Air (yellow)
- N2 - Chemetron Style Female Coupler Nitrous Oxide (blue)
- C2 - Chemetron Style Female Coupler Oxygen (green)
- V2 - Chemetron Style Female Coupler VAC/Suction (white)
- E2 - Chemetron Style Female Coupler WAGD/EVAC (purple)

- R1 - Puritan Style Male Adaptor with HT collar Medical Air (yellow)
- K1 - Puritan Style Male Adaptor with HT collar Nitrous Oxide (blue)
- P1 - Puritan Style Male Adaptor with HT collar Oxygen (green)
- M1 - Puritan Style Male Adaptor with HT collar VAC/Suction (white)
- B1 - Puritan Style Male Adaptor with HT collar WAGD/EVAC (purple)

- R2 - Puritan Style Female Coupler Medical Air (yellow)
- K2 - Puritan Style Female Coupler Nitrous Oxide (blue)
- P2 - Puritan Style Female Coupler Oxygen (green)
- M2 - Puritan Style Female Coupler VAC/Suction (white)
- B2 - Puritan Style Female Coupler WAGD/EVAC (purple)

- Y1 - Ohmeda Style Male Adaptor Carbon Dioxide (grey)
- A1 - Ohmeda Style Male Adaptor Medical Air (yellow)
- H1 - Ohmeda Style Male Adaptor Nitrous Oxide (blue)
- O1 - Ohmeda Style Male Adaptor Oxygen (green)
- J1 - Ohmeda Style Male Adaptor VAC/Suction (white)
- F1 - Ohmeda Style Male Adaptor WAGD/EVAC (purple)

- Y2 - Ohmeda Style Female Coupler Carbon Dioxide (grey)
- A2 - Ohmeda Style Female Coupler Medical Air (yellow)
- H2 - Ohmeda Style Female Coupler Nitrous Oxide (blue)
- O2 - Ohmeda Style Female Coupler Oxygen (green)
- J2 - Ohmeda Style Female Coupler VAC/Suction (white)
- F2 - Ohmeda Style Female Coupler WAGD/EVAC (purple)

- 1H - Male Hansen QD
- 2H - Female Hansen QD

- 22 - FEMALE 1/8" NPT PIPE THREAD
- 24 - FEMALE 1/4" NPT PIPE THREAD

- 12 - MALE 1/8" NPT PIPE THREAD
- 14 - MALE 1/4" NPT PIPE THREAD

- 00-NO END CONNECTION BLANK END

----- HOSE COLOR

- B1 - Black Non-Conductive Thermoplastic (PVC) 1/4" ID Hose (Nitrogen)
- B2 - Black Conductive Thermoplastic (PVC) 1/4" ID Hose (Nitrogen)
- C1 - Clear w/ White Braid Non-Conductive Thermoplastic (PVC) 1/4" ID Hose (General Purpose)
- G1 - Green Non-Conductive Thermoplastic (PVC) 1/4" ID Hose (Oxygen)
- G2 - Green Conductive Thermoplastic (PVC) 1/4" ID Hose (Oxygen)
- P1 - Purple Non-Conductive Thermoplastic (PVC) 1/4" ID Hose(WAGD (EVAC))
- P2 - Purple Conductive Thermoplastic (PVC) 1/4" ID Hose(WAGD (EVAC))
- R2 - Grey Conductive Thermoplastic (PVC) 1/4" ID Hose (Carbon Dioxide)
- U1 - Blue Non-Conductive Thermoplastic (PVC) 1/4" ID Hose (Nitrous Oxide)
- U2 - Blue Non-Conductive Thermoplastic (PVC) 1/4" ID Hose (Nitrogen Oxide)
- W1 - White Non-Conductive Thermoplastic (PVC) 1/4" ID Hose (Vacuum (Suction))
- W2 - White Conductive Thermoplastic (PVC) 1/4" ID Hose (Vacuum (Suction))
- Y1 - Yellow Non-Conductive Thermoplastic (PVC) 1/4" ID Hose (Medical Air)
- Y2 - Yellow Conductive Thermoplastic (PVC) 1/4" ID Hose (Medical Air)
- G3 - Green Non-Conductive Rubber (ISO 5389) 1/4" ID (Oxygen)
- G4 - Green Conductive Rubber (ISO 5389) 1/4" ID (Oxygen) **Special Order**
- W8 - White Oxygen Non-Conductive Rubber (ISO 5389) 1/4" ID (ISO White-Oxygen) **Special Order (see HC for Canada Specification)**
- W9 - White Oxygen Conductive Rubber (ISO 5389) 1/4" ID (ISO White-Oxygen) **Special Order (see HC for Canada Specification)**
- B3 - Black Non-Conductive Rubber (ISO5389) 1/4" ID Hose (Nitrogen) **Special Order**
- B4 - Black Conductive Rubber (ISO5389) 1/4" ID Hose (Nitrogen) **Special Order**
- P3 - Purple Non-Conductive Rubber (ISO5389) 1/4" ID Hose (WAGD (EVAC)) **Special Order**
- P4 - Purple Non-Conductive Rubber (ISO5389) 1/4" ID Hose (WAGD (EVAC)) **Special Order**
- U3 - Blue Non-Conductive Rubber (ISO5389) 1/4" ID Hose (Nitrous Oxide) **Special Order**
- U4 - Blue Conductive Rubber (ISO5389) 1/4" ID Hose (Nitrous Oxide) **Special Order**

- W3 - White Non-Conductive Rubber (ISO5389) 1/4" ID Hose (Vacuum (Suction))
- W4 - White Conductive Rubber (ISO5389) 1/4" ID Hose (Vacuum (Suction)) **Special Order**
- Y3 - Yellow Non-Conductive Rubber (ISO5389) 1/4" ID Hose (Medical Air) **Special Order**
- Y4 - Yellow Conductive Rubber (ISO5389) 1/4" ID Hose (Medical Air) **Special Order**
- B5 - ISO Black Non-Conductive Rubber (ISO5389) 1/4" ID Hose (Nitrogen) **Special Order**
- B6 - ISO Black Conductive Rubber (ISO5389) 1/4" ID Hose (Nitrogen) **Special Order**
- R6 - ISO Grey Conductive Rubber (ISO5389) 1/4" ID Hose (Carbon Dioxide) **Special Order**
- U5 - ISO Blue Non-Conductive Rubber (ISO5389) 1/4" ID Hose (Nitrous Oxide) **Special Order**
- U6 - ISO Blue Conductive Rubber (ISO5389) 1/4" ID Hose (Nitrous Oxide) **Special Order**
- Y5 - ISO Yellow Non-Conductive Rubber (ISO 5389) 1/4" ID Hose (Vacuum (Suction)) **Special Order**
- Y6 - ISO Yellow Conductive Rubber (ISO 5389) 1/4" ID Hose (Vacuum (Suction)) **Special Order**
- B8 - Black Non-Conductive Rubber (ISO5389) 5/16" ID Hose (Nitrogen) **Special Order**
- B9 - Black Conductive Rubber (ISO5389) 5/16" ID Hose (Nitrogen) **Special Order**
- G8 - Green Non-Conductive Rubber (ISO 5389) 5/16" ID (Oxygen) **Special Order**
- G9 - Green Conductive Rubber (ISO 5389) 5/16" ID (Oxygen) **Special Order**
- P8 - Purple Non-Conductive Rubber (ISO5389) 5/16" ID Hose (WAGD (EVAC)) **Special Order**
- P9 - Purple Conductive Rubber (ISO5389) 5/16" ID Hose (WAGD (EVAC)) **Special Order**
- R9 - Grey Conductive Rubber (ISO5389) 5/16" ID Hose (Carbon Dioxide) **Special Order**
- U8 - Blue Non-Conductive Rubber (ISO5389) 5/16" ID Hose (Nitrous Oxide) **Special Order**
- U9 - Blue Conductive Rubber (ISO5389) 5/16" ID Hose (Nitrous Oxide) **Special Order**
- W5 - ISO White Non-Conductive Rubber (ISO5389) 5/16" ID Hose (Oxygen) **Special Order**
- W6 - ISO White Conductive Rubber (ISO5389) 5/16" ID Hose (Oxygen) **Special Order**
- Y8 - Yellow Non-Conductive Rubber (ISO5389) 5/16" ID Hose (Medical Air) **Special Order**
- Y9 - Yellow Conductive Rubber (ISO5389) 5/16" ID Hose (Medical Air) **Special Order**

----- PRODUCT GROUP:
HA - Hose Assembly