

Mass Casualty Assembly

Quick deployment system for delivering oxygen, and other medical gases, or Vacuum to multiple patients. System can be easily customized for:

- Hospital Capacity Expansions
Pop-Up or Mobile Tent Hospitals
- Field Triage Scenarios, Single Ambulance is able to supply six patients



- Inline chain of Flowmeters (up to 10 Flowmeters at 15 lpm Maximum flow rates)
- Flowmeters with Glow-in-the-Dark Flow Numbers
- Flowmeter with optional DISS Power Take Off, for auxiliary equipment
- All-Metal-Constructed, Flow Meters are extremely durable, and are non-gravity sensitive
- Optional drops with DISS Check Valves available for Mobile Shelter and Hospital applications
- Lead hose with optional inlet connections and lengths between flowmeters, DISS, Ohio, Chemetron
- Connectible to any 50-psi oxygen gas source
- Optional Regulator Styles and CGA Pressure Reducer
- Optional carry bag
- Lanyards for suspending Flowmeters from IV Poles, or railing systems



All MCA Series Multiple Oxygen Flowmeter Distribution Systems may be customized to meet your specific departmental requirements



Examples of 18" Drops
 Four Pictured



Typical Pop-Up or Mobile installation
 along light rail



Medical Air hose



InGage Pressure Reducer w/ Hand tight Nut



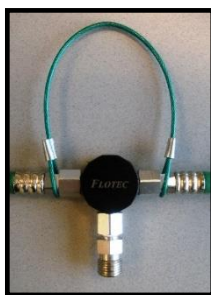
Swivel Tee for ease of
 deployment



High Pressure Tee for connecting
 two regulators from a single tank



Optional 50 PSI PTO

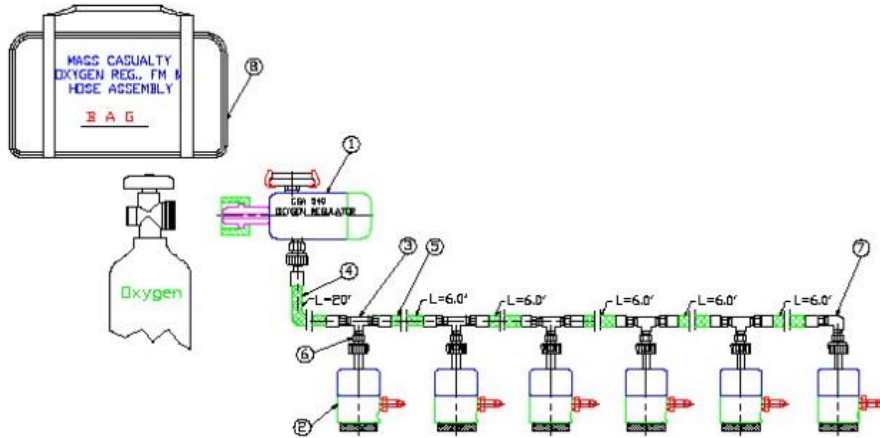


2 or 3 Way Swivel
 With Lanyard

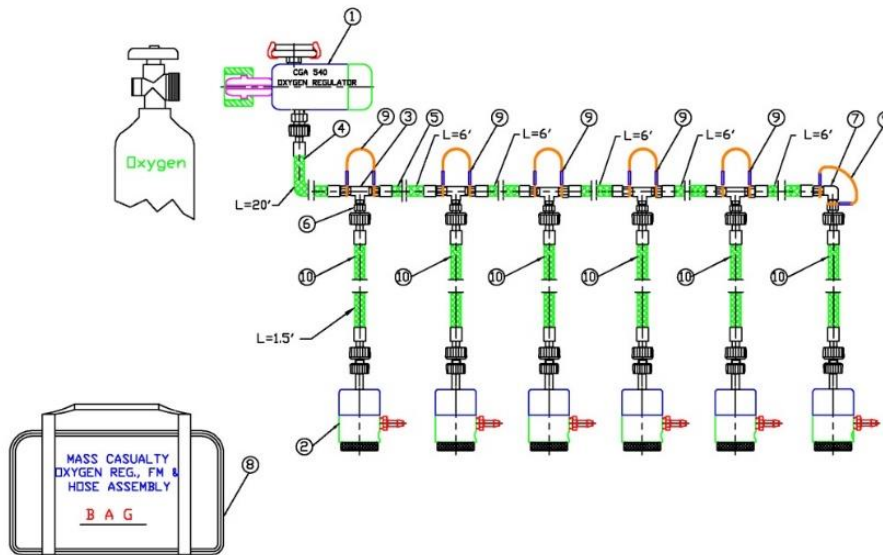


7625 West New York Street Indianapolis IN 46214-4911
 Phone: 317-273-6960 Fax: 317-273-6979
 e-mail: orderdesk@floteco2.com

www.floteco2.com
 Order Desk: 800-401-1723



Part Number	Description
MCA-226P7-205X0	InGage Pressure Reducer (RW pictured), Bag, Six 0-25 Flowmeters, 20" Leader Hose, five 72" hoses between each Flowmeter with <u>Fixed</u> Tees, no drops (Lanyards included but not pictured)
MCA-226P7-20FX0	InGage Pressure Reducer (RW pictured), Bag, Six 0-25 Flowmeters, 20" Leader Hose, five 72" hoses between each Flowmeter with <u>Swivel</u> Tees, no drops (Lanyards included but not pictured)



Part Number	Description
MCA-226P7-205XA	InGage Pressure Reducer (RW pictured), Bag, Six 0-25 Flowmeters, 20" Leader Hose, five 72" hoses between each Flowmeter with <u>Fixed</u> Tees, no drops (Lanyards included but not pictured), 18" Drops
MCA-226P7-20FXA	InGage Pressure Reducer (RW pictured), Bag, Six 0-25 Flowmeters, 20" Leader Hose, five 72" hoses between each Flowmeter with <u>Swivel</u> Tees, no drops (Lanyards included but not pictured), 18" Drops

21 CFR 801, 803, 806, 807, 820, & 821
 CGA E-7
 ASTM-G175-03

CGA G4.1
 MRI Conditional (selected P/N's)

ISO 13485:2016
 SOR/98-282
 Council Directive 93/42/EEC

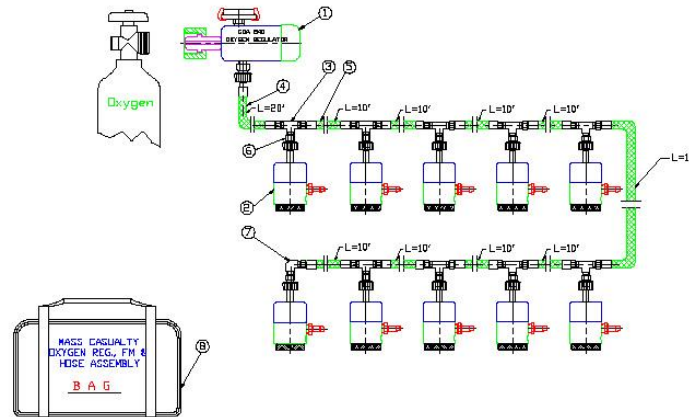
MDSAP
 TG(MD)R 2002
 Council Directive 93/42/EEC

CE Mark 1434
 EN ISO 14971:2012
 RoHS

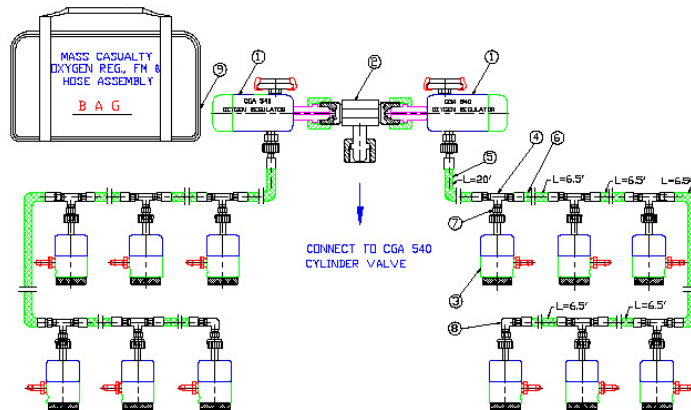


7625 West New York Street Indianapolis IN 46214-4911
 Phone: 317-273-6960 Fax: 317-273-6979
 e-mail: orderdesk@floteco2.com

www.floteco2.com
 Order Desk: 800-401-1723



Part Number	Description
MCA-15JM5-209X0	InGage Pressure Reducer (RW pictured), Bag, Ten 0-25 Flowmeters, 20" Leader Hose, nine 72" hoses between each Flowmeter with <u>Fixed</u> Tees, no drops (Lanyards included but not pictured)
MCA-15JM5-20KX0	InGage Pressure Reducer (RW pictured), Bag, Ten 0-25 Flowmeters, 20" Leader Hose, nine 72" hoses between each Flowmeter with <u>Swivel</u> Tees, no drops (Lanyards included but not pictured)
MCA-15JM5-20KXA	InGage Pressure Reducer (RW pictured), Bag, Ten 0-25 Flowmeters, 20" Leader Hose, nine 72" hoses between each Flowmeter with <u>Swivel</u> Tees, (Lanyards included but not pictured) , 18" Drops (not pictured)



Part Number	Description
MCA-G2LP7-2AEX0	InGage Pressure Reducer (RW pictured), Bag, Twelve 0-25 Flowmeters, Two 20" Leader Hose, ten 72" hoses between each Flowmeter with <u>Fixed</u> Tees, no drops (lanyards not pictured)
MCA-G2LP7-2ALA0	InGage Pressure Reducer (RW pictured), Bag, Twelve 0-25 Flowmeters, Two 20" Leader Hose, ten 72" hoses between each Flowmeter with <u>Swivel</u> Tees, no drops (lanyards not pictured)
MCA-G2LP7-2ALXA	InGage Pressure Reducer (RW pictured), Bag, Twelve 0-25 Flowmeters, Two 20" Leader Hose, ten 72" hoses between each Flowmeter with <u>Swivel</u> Tees, no drops (lanyards not pictured) , 18" Drops (not pictured)