

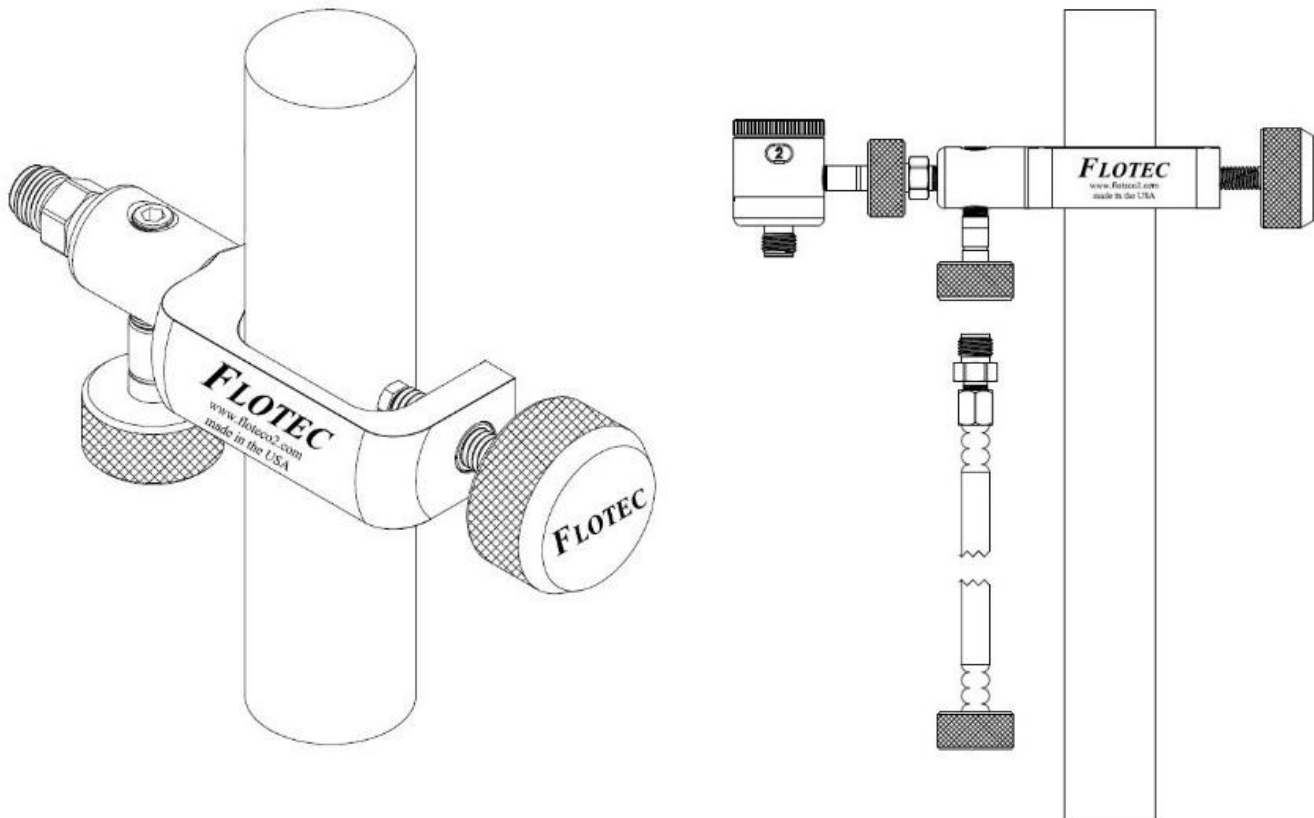


Pole Mount Assembly

Female DISS-1240 Swivel w/ O-Ring to Male DISS-1240 Check Valve

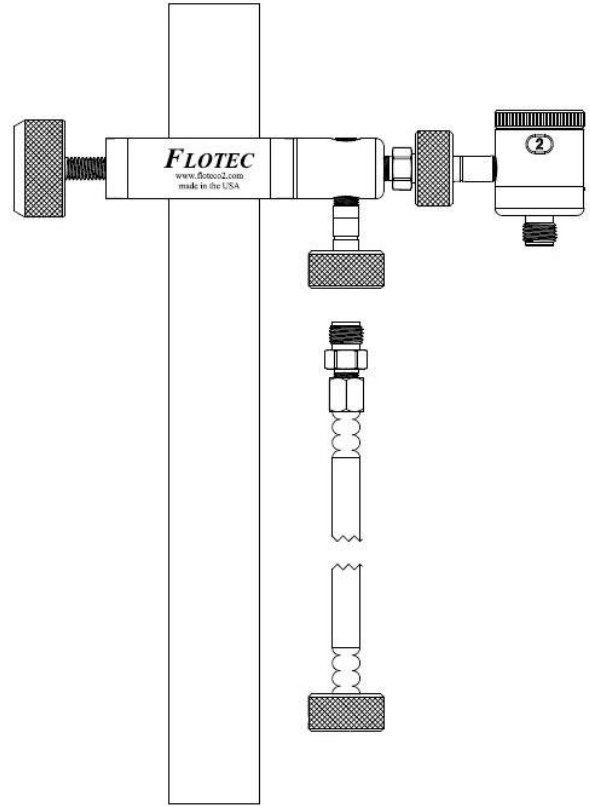
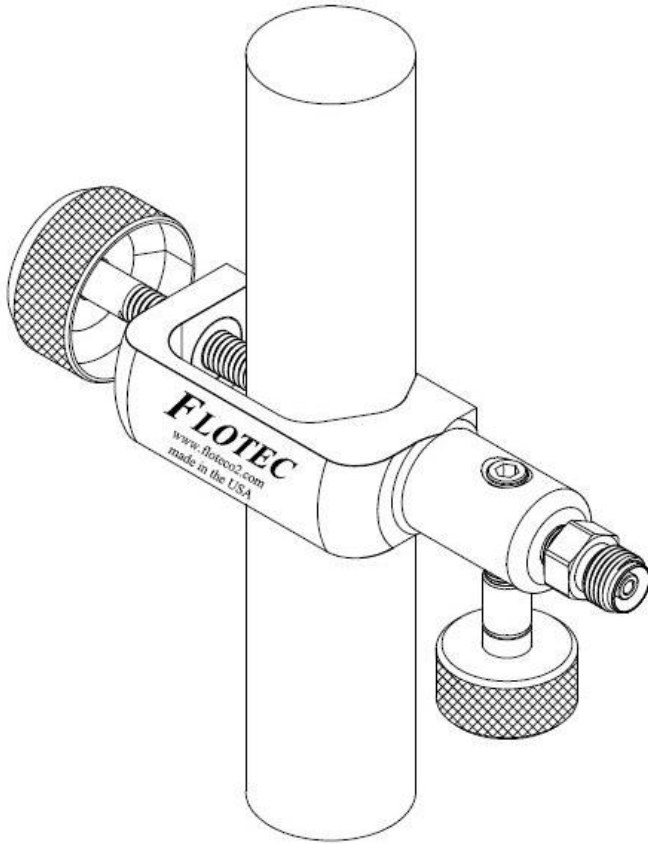
- Compatible with 1" to 1-1/2" diameter poles in Right-Hand and Left-Hand orientation
- Knurled Knob for Hand Tight installation on to pole. Pole disassembly is not necessary
- Available in Six different Colors for easy identification for use with different Gases
- Aluminum Body and Dome Handle, Stainless Steel Screw w/ Replaceable Plastic tip, and Brass Thread Insert
- Cleaned for oxygen service and may be Cleaned and Sanitized for reuse
- Multiple Configurations.

Part Number PMR-3S-8S-22



Shown with Flowmeter (F10-2Y0xx)
and Hose Assembly (HAG3-3S8S-xxx),
which are sold separately

Part Number PML-3S-8S-22



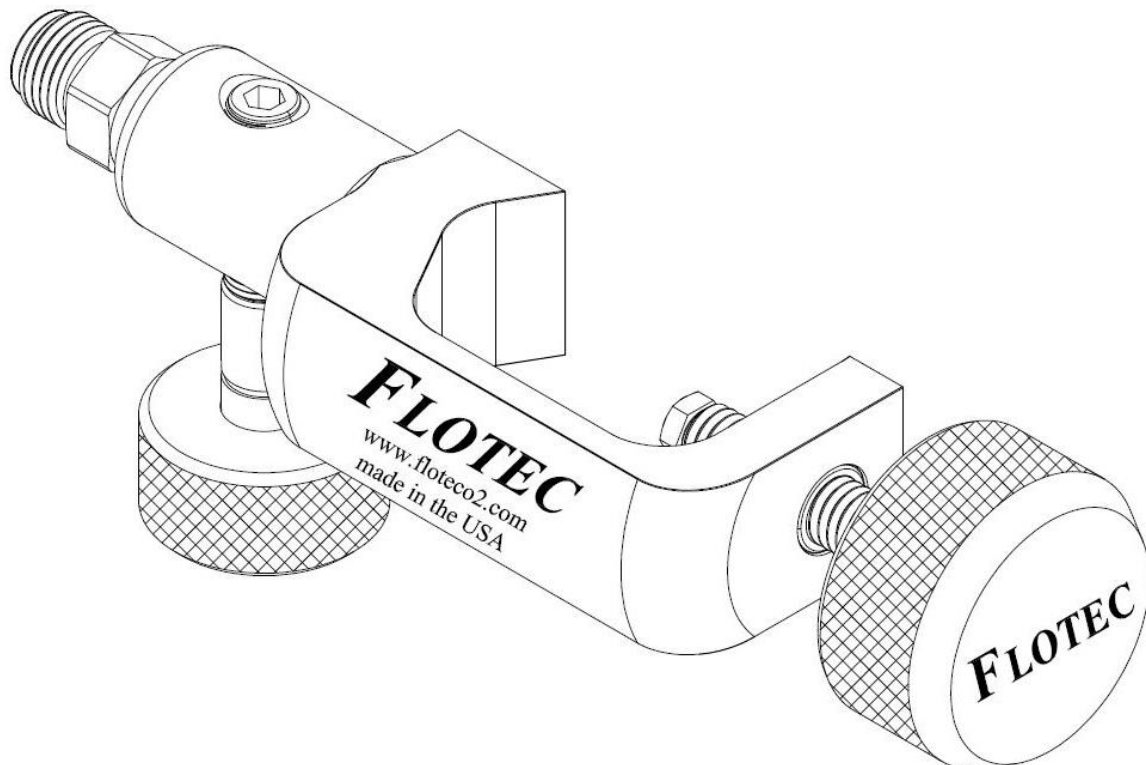
Shown with Flowmeter (F10-2S0xx)
and Hose Assembly (HAG3-3S8S-xxx),
which are sold separately

How to Order Pole Mount Assembly

The Flotec Pole Mount Assembly is available in Right-Hand or Left-Hand Orientation. This is determined by which hand is used to tighten the Dome Knob while the Flotec Logo is facing the user.

When ordering it is necessary to SELECT and SPECIFY the features desired using the B-Pole Mount Assembly Code. Begin with the Orientation. Move across the list of options, select one choice from each section, and specify the code for that option. When finished, you will have an assembly number such as **PMR-3S-8S-22**. This number, for example identifies a:

- PM** - Pole Mount Assembly
- R** - Right Hand Orientation
-
- 3S** - DISS-1240 Female Knurled Nut & Nipple w/ O-Ring Oxygen (Green)
-
- 8S** - DISS-1240 Male Check Valve
-
- 22** - Female 1/8" NPT Pipe Thread (Plugged)





PM R -- 3S -- 8S -- 22

B-Pole Mount Assembly Code (2020-11-19).xlsx

----- Top Port

- 22 - Female 1/8" NPT Pipe Thread (Plugged)
- 3S - DISS-1240 Female Knurled Nut & Nipple w/ O-Ring Oxygen (Green)
- 3T - DISS-1160 Female Plastic Knurled Nut & Nipple w/ O-Ring Oxygen (Yellow)
- 4S - DISS-1240 Female Hex Nut & Nipple Oxygen (Plated Brass)
- 8S - DISS-1240 Male Check Valve
- 8T - DISS-1160 Male Check Valve

----- End Port (Center Line)

- 22 - Female 1/8" NPT Pipe Thread (Plugged)
- 3S - DISS-1240 Female Knurled Nut & Nipple w/ O-Ring Oxygen (Green)
- 3T - DISS-1160 Female Plastic Knurled Nut & Nipple w/ O-Ring Oxygen (Yellow)
- 4S - DISS-1240 Female Hex Nut & Nipple Oxygen (Plated Brass)
- 8S - DISS-1240 Male Check Valve
- 8T - DISS-1160 Male Check Valve

----- Bottom Port (Based on Orientation)

- 22 - Female 1/8" NPT Pipe Thread (Plugged)
- 3S - DISS-1240 Female Knurled Nut & Nipple w/ O-Ring Oxygen (Green)
- 3T - DISS-1160 Female Plastic Knurled Nut & Nipple w/ O-Ring Oxygen (Yellow)
- 4S - DISS-1240 Female Hex Nut & Nipple Oxygen (Plated Brass)
- 8S - DISS-1240 Male Check Valve
- 8T - DISS-1160 Male Check Valve

----- Orientation

- L-Left Hand
- R-Right Hand

----- PRODUCT GROUP:

PM-Pole Mount